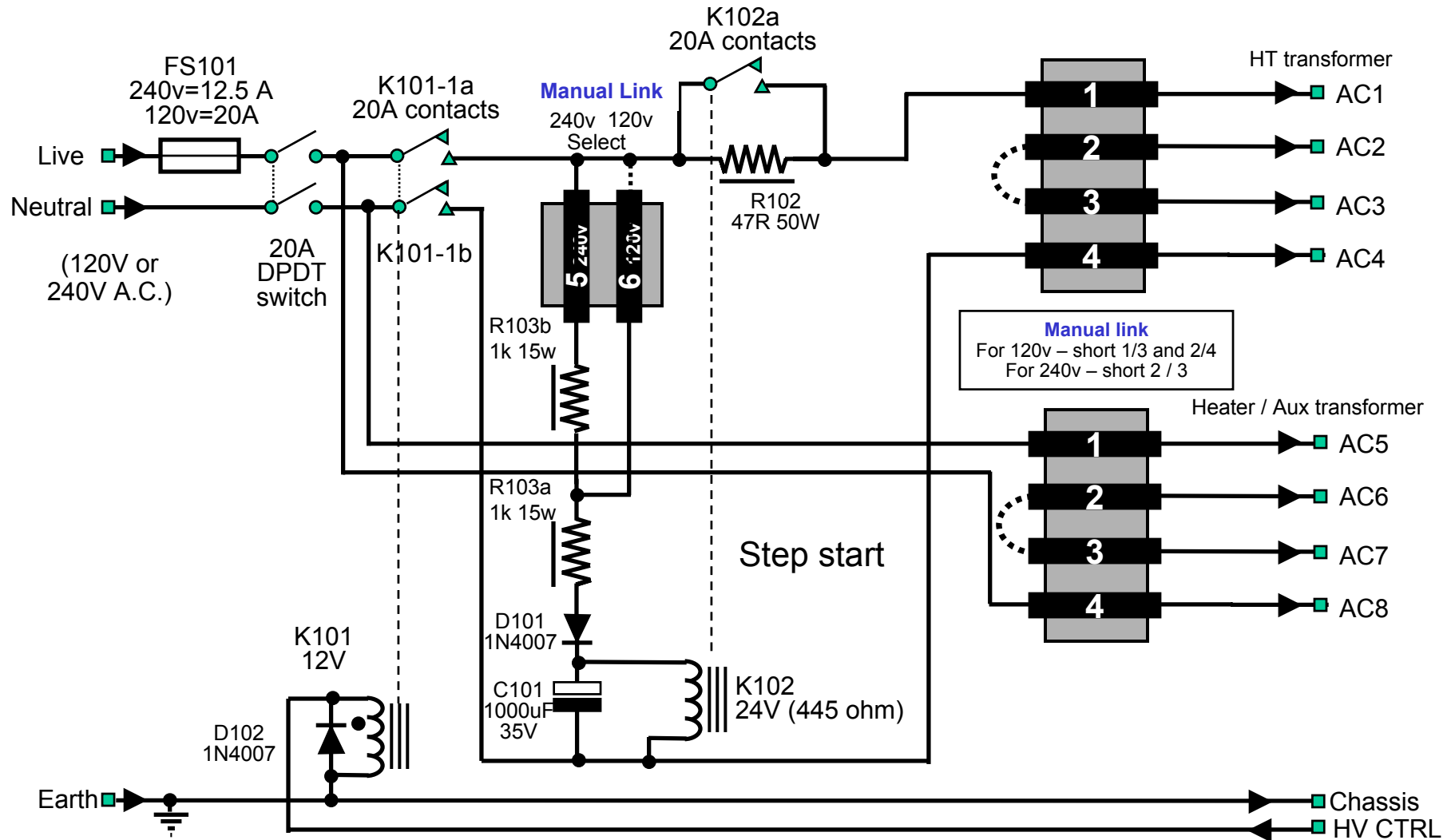
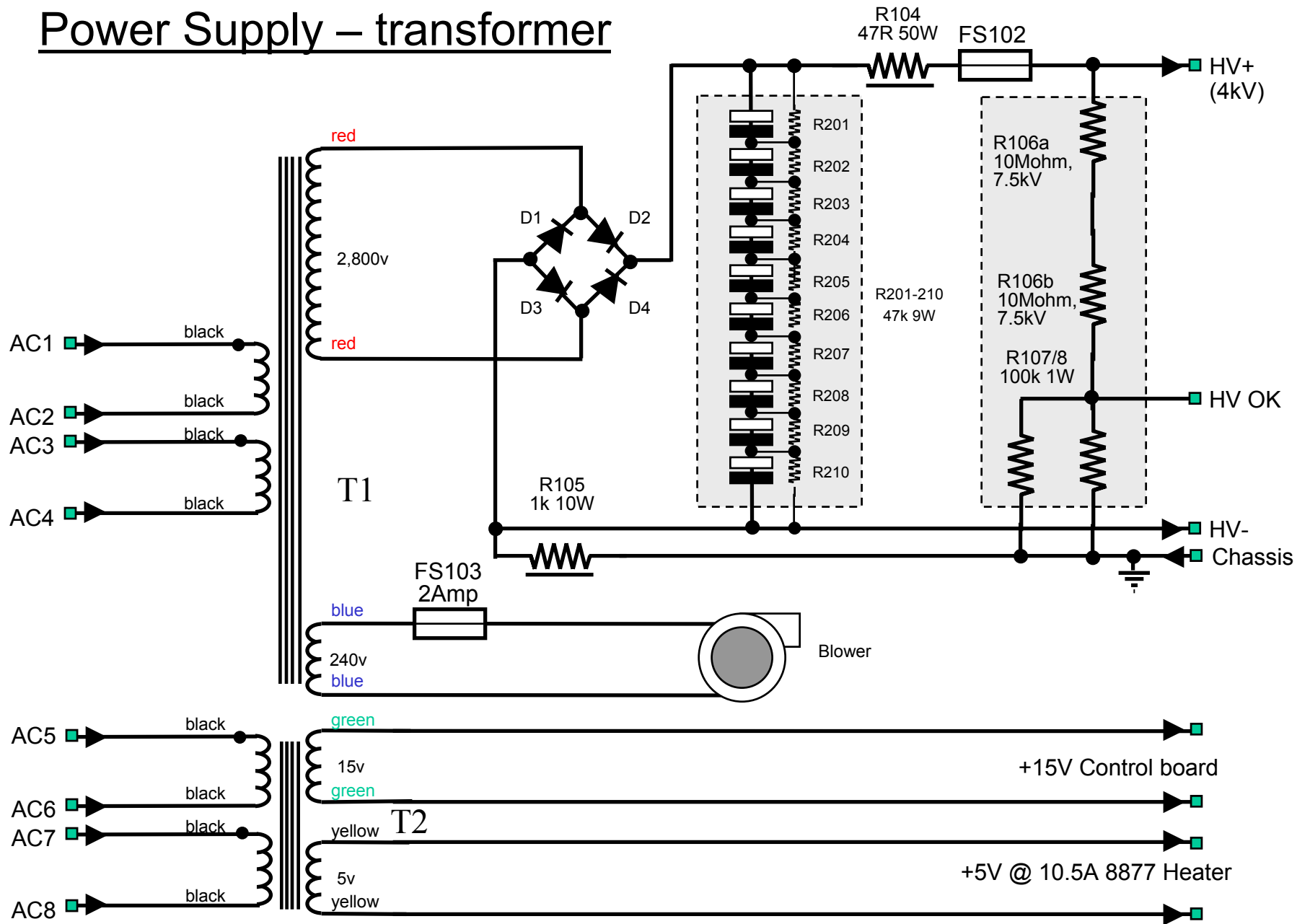


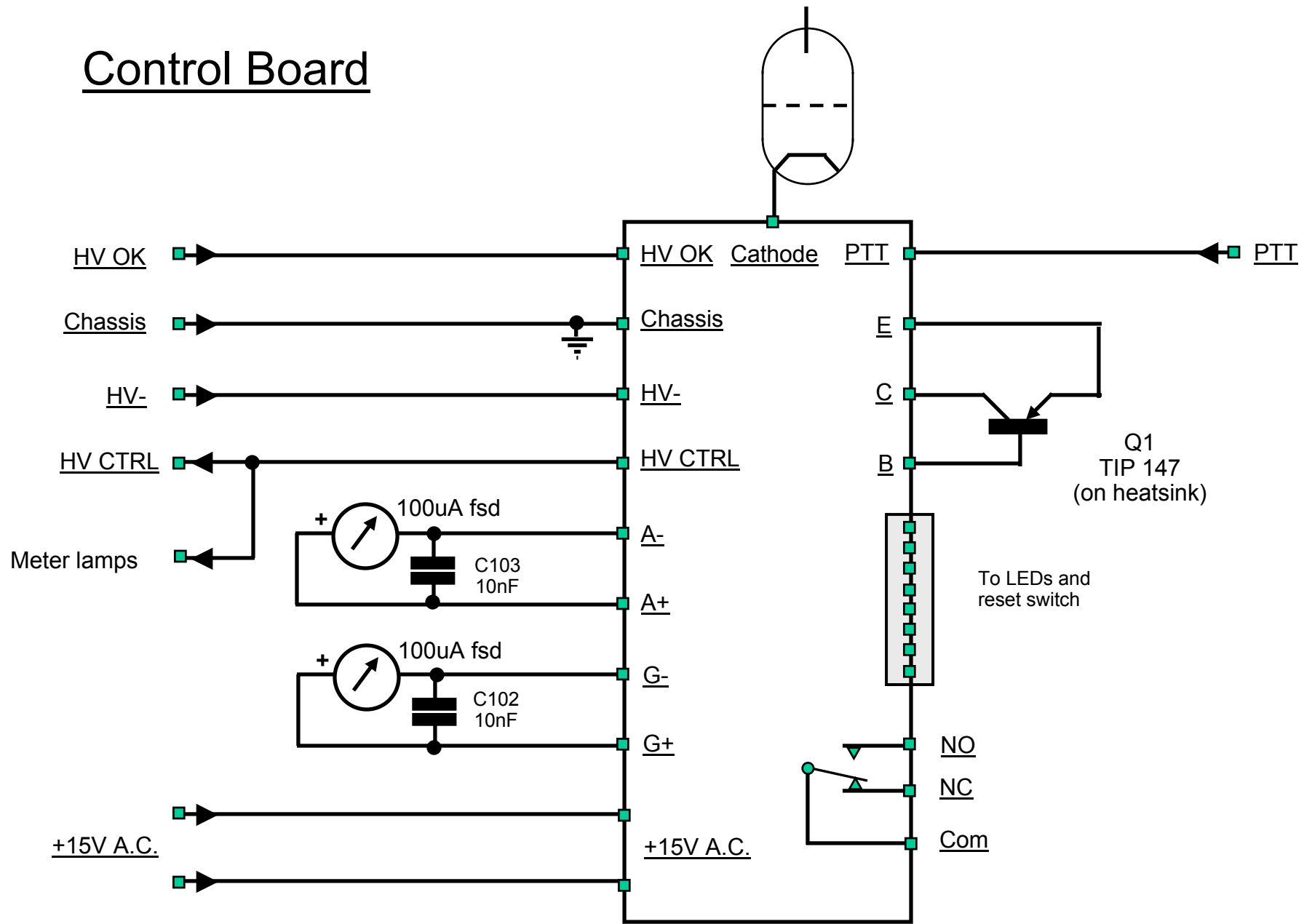
# Power Supply – mains side



# Power Supply – transformer



# Control Board



# RF Deck

